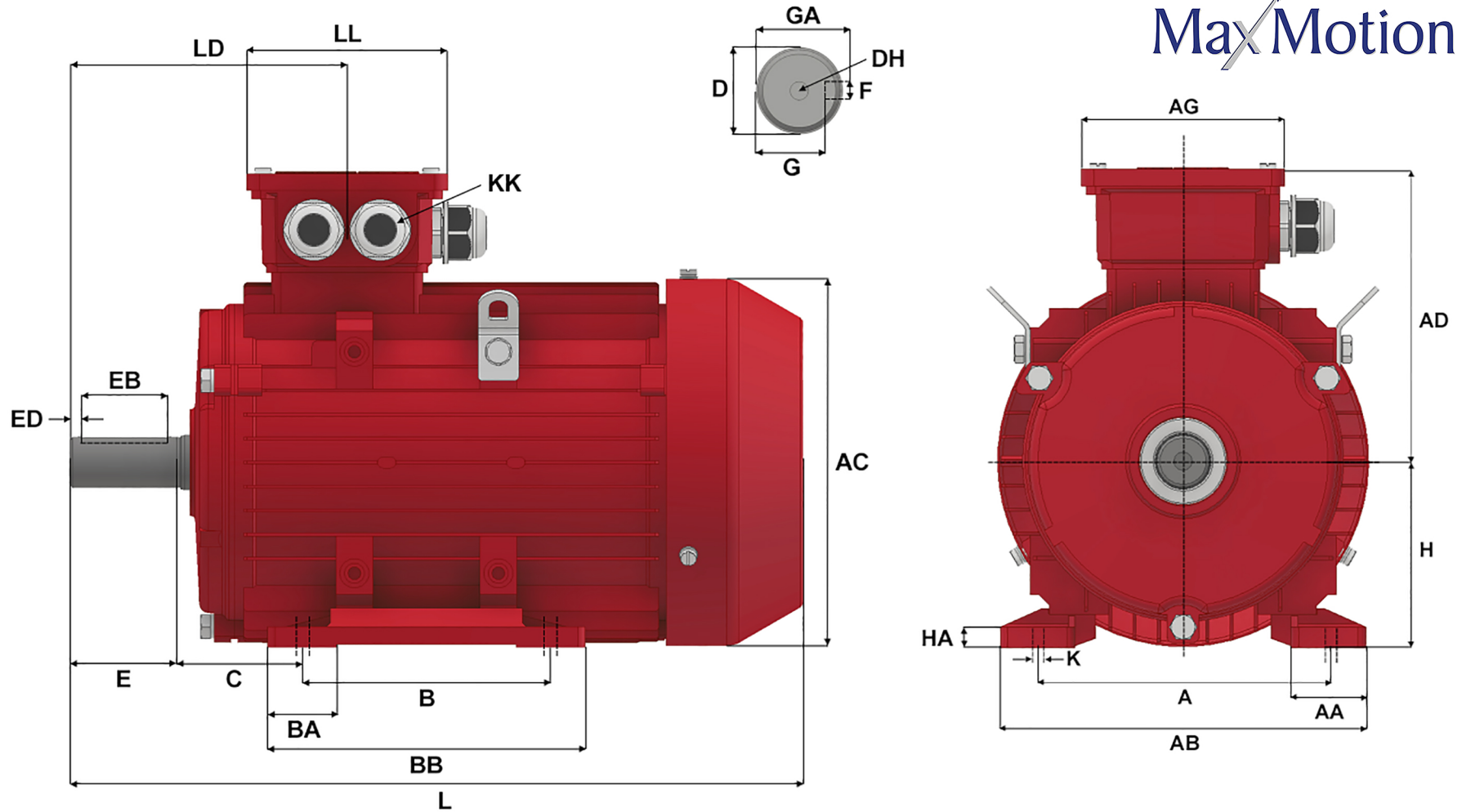


MaxMotion



Version: 1JLEM		Revised: 09-11-2019		HP	RPM	FRAME	ENCLOSURE	IJA132S-4-B3								
Customer is responsible in determining that Max Motion product will fit/perform suitably in the intended application								7.5	1752	132S	TEFC					
A	B	C	D	E	F	G	H	K	L	AA	AB	AC				
216	140	89	38	80	10	33	132	12 X 16	445	51	262	258				
AD	AG	BA	BB	DH	EB	ED	GA	HA	KK (1)	KK (2)	KK (3)	LD				
188	117.5	46	186	M12 X 28	65	7.5	41	15	M32 X 1.5	3/4" NPT	M16 X 1.5	180				
LL																
117.5																